



SENATOR

***RH770 LOCKING WHEELHOUSE
CONFIGURATION***

<i>FOREWORD</i>	<i>3</i>
<i>FORWARD DECK</i>	<i>5-8</i>
<i>CABIN AND ROOF</i>	<i>9-11</i>
<i>CABIN INTERNAL</i>	<i>12-15</i>
<i>DECK</i>	<i>16-18</i>
<i>TRANSOM</i>	<i>20-22</i>
<i>DUCKBOARDS</i>	<i>23-24</i>
<i>HULL</i>	<i>25</i>

***PLEASE NOTE: TO ACHIEVE SENATOR'S CONTINUOUS IMPROVEMENT PROGRAM,
DESIGNS AND THIS DOCUMENT MAY BE SUBJECT TO CHANGE.***

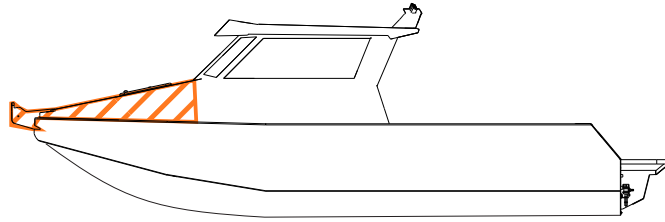
***THIS DOCUMENT SHOWCASES SOME OF THE AVAILABLE OPTIONS FOR THE RH 770,
OPTIONS SEEN HERE MAY BE UPGRADES AND MAY NOT COME STANDARD WITH THE RH 770.
FOR FURTHER ENQUIRES ABOUT UPGRADES AND OPTIONS PLEASE GET IN TOUCH WITH YOUR LOCAL DEALER.***

FOR BEST REPRESENTATION IN THIS DOCUMENT THE CARPET LAYERS IN THE CABIN HAVE BEEN TURNED OFF.

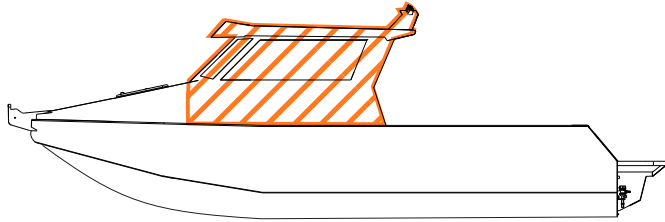


/ 770

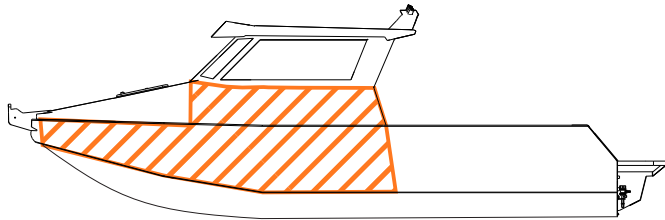
FORWARD DECK



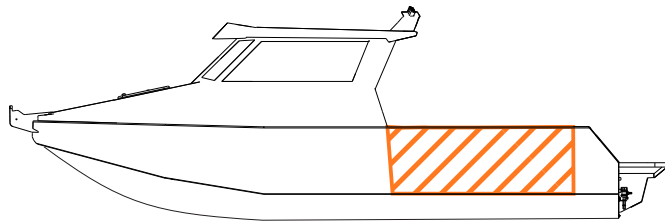
CABIN AND ROOF



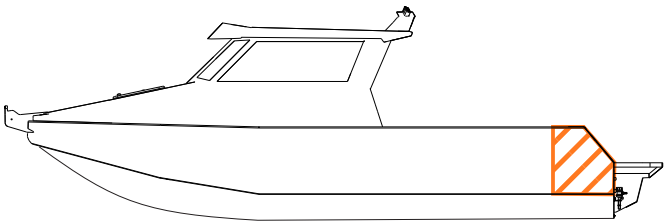
CABIN INTERNAL



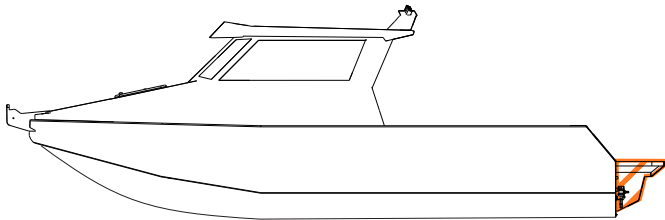
DECK



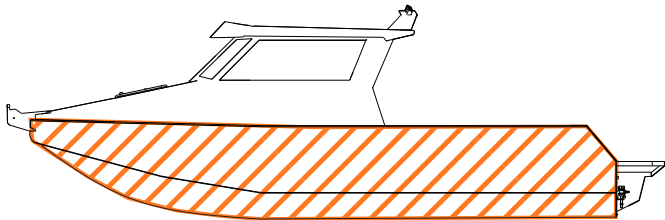
TRANSOM



DUCKBOARDS

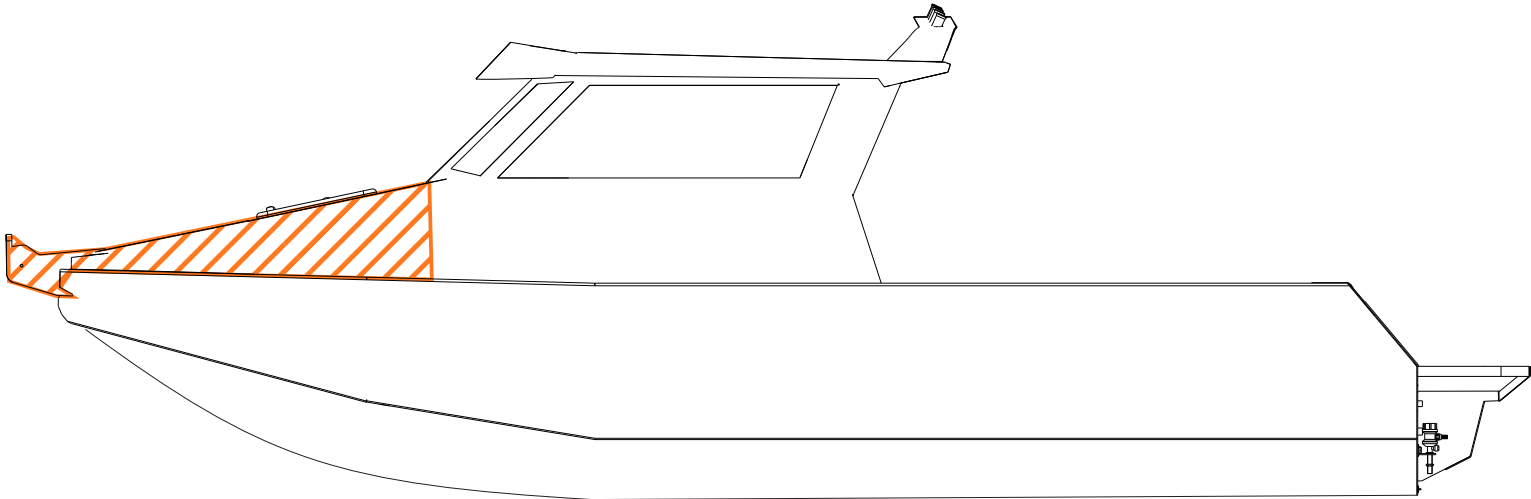


HULL/ OUTER PONTON



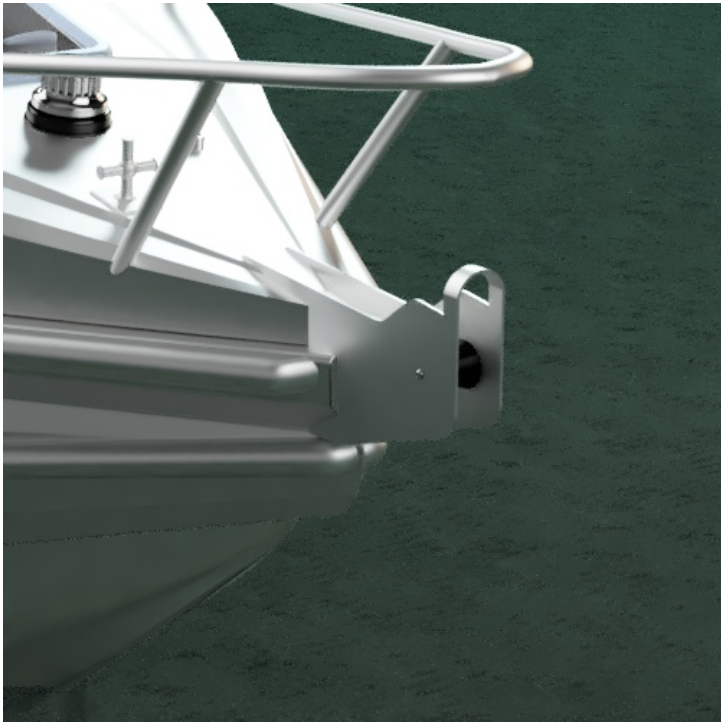
/ 770

FORWARD DECK OPTIONS

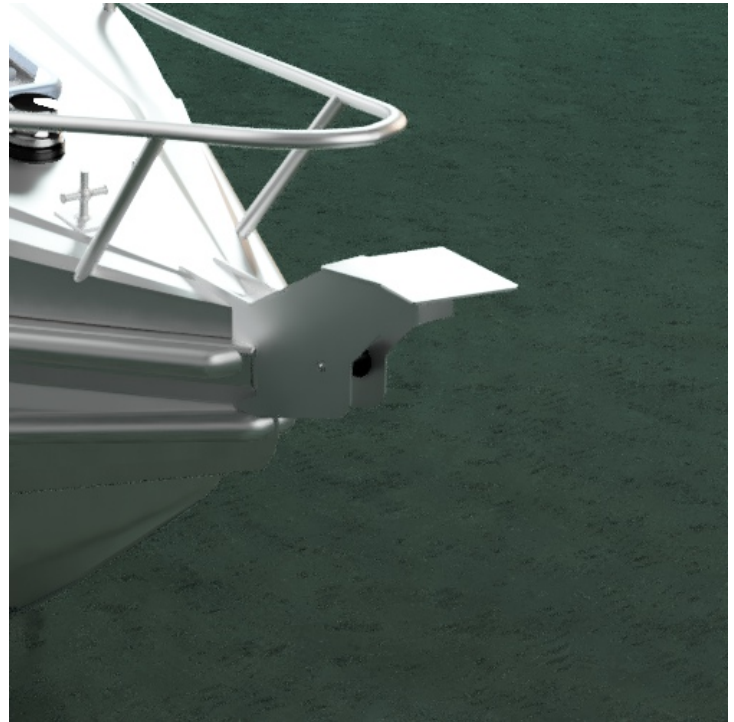


/ 770

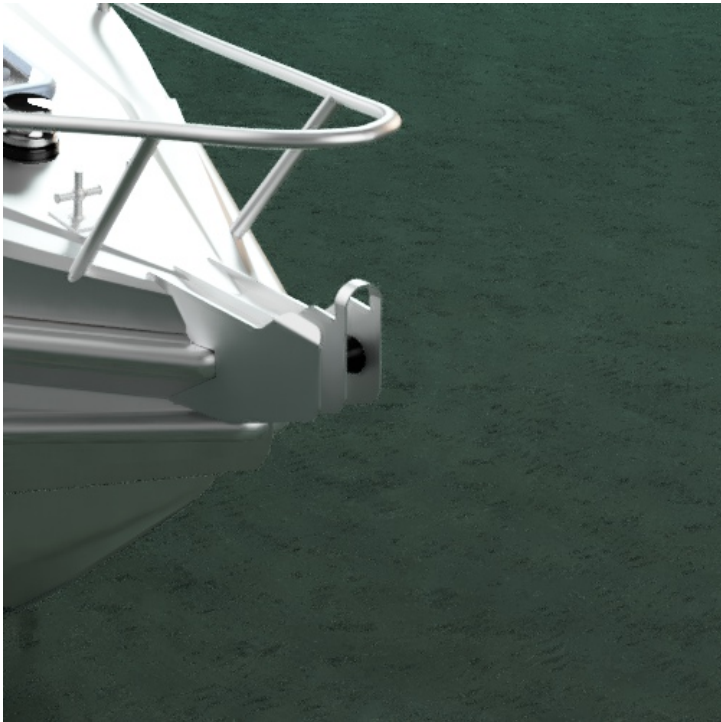
STANDARD - HOOP OVER FAIRLEAD



+MINNKOTA FAIRLEAD



+MOORING FAIRLEAD



+BOW LADDER FAIRLEAD



/ 770

STANDARD BOW RAIL



+1020 BOW RAIL

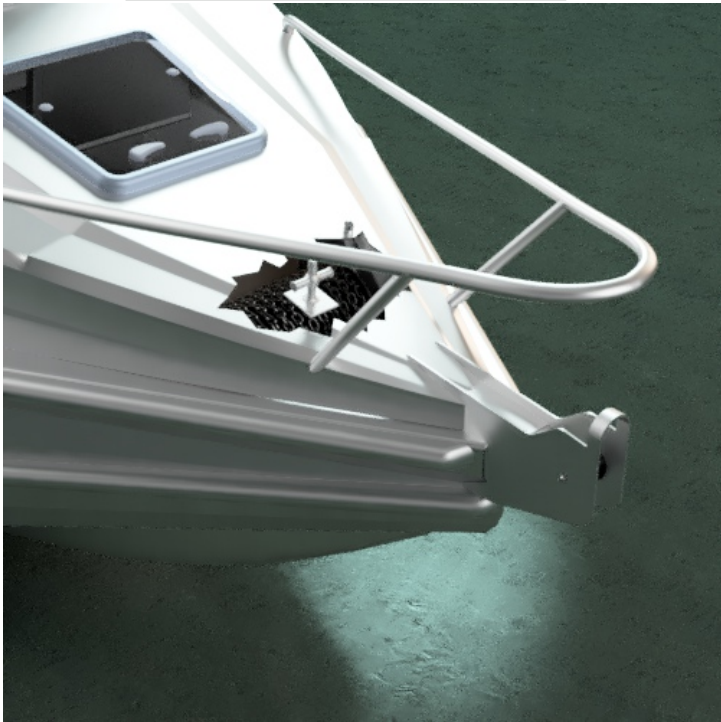


+WALK AROUND 1020 BOW RAIL

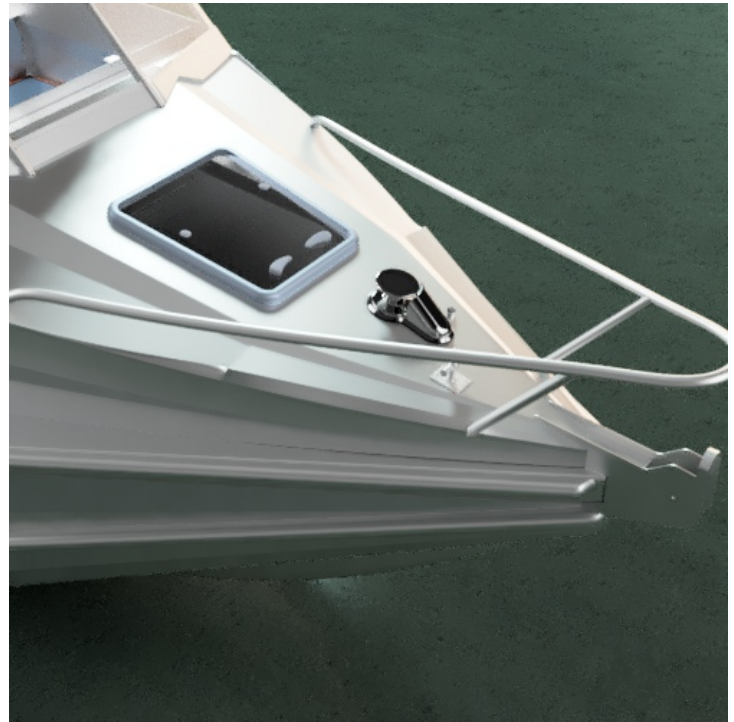


/ 770

+DRUM WINCH

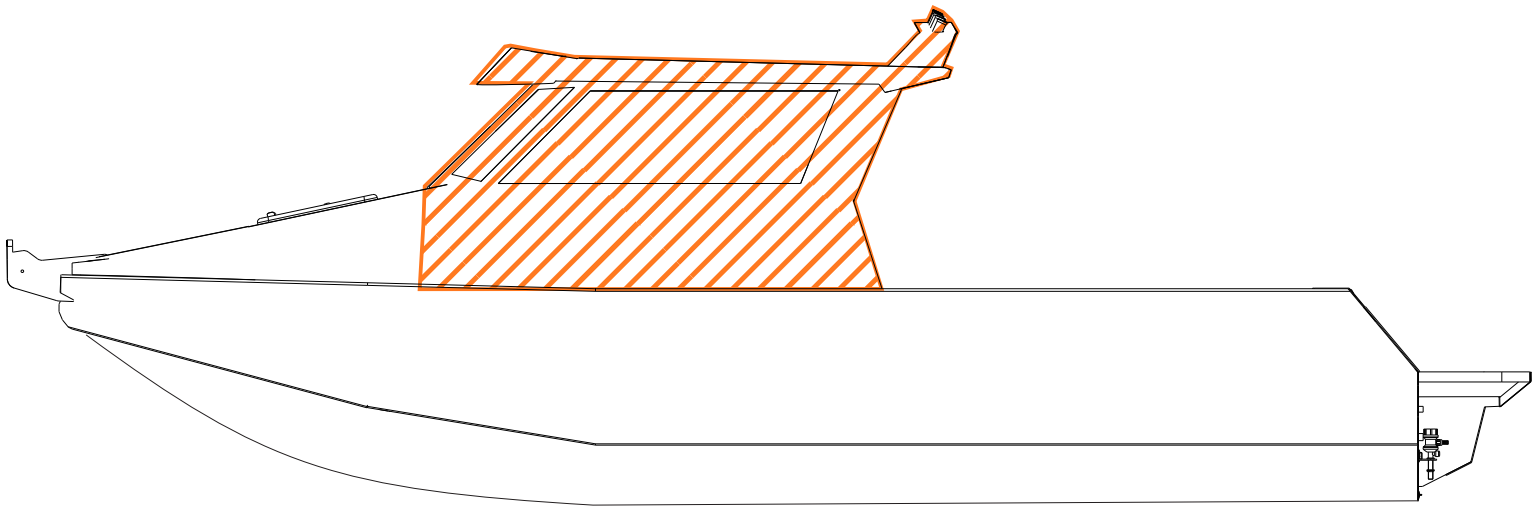


+AUTO CAPSTAN



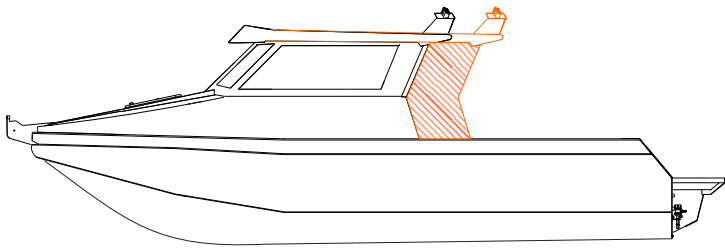
/ 770

CABIN AND ROOF OPTIONS

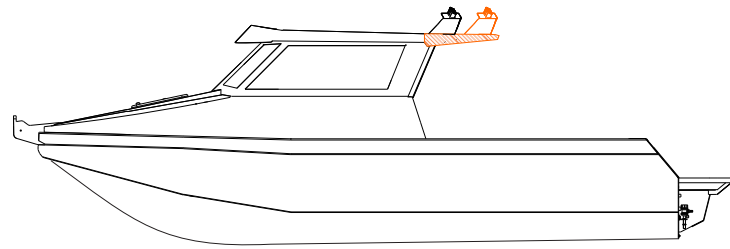


/ 770

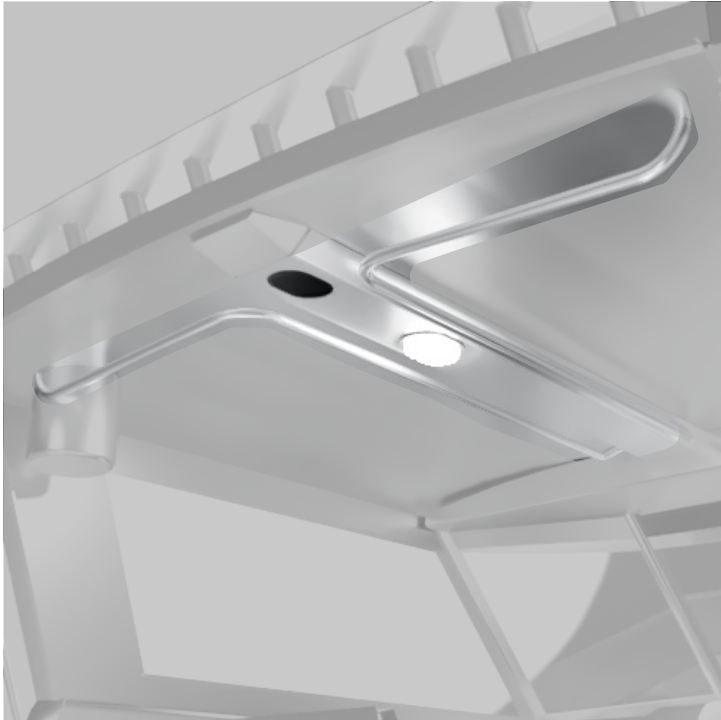
CABIN EXTENSION



ROOF EXTENSION



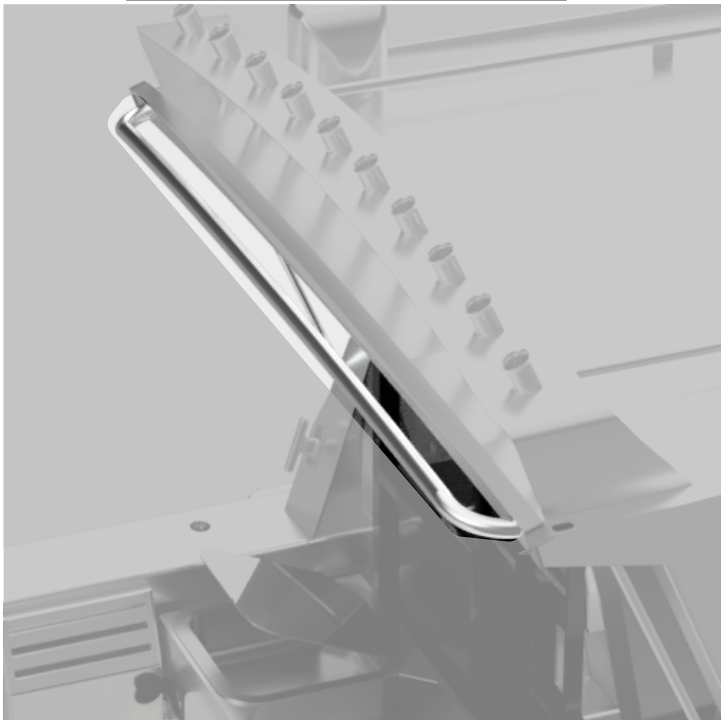
L SHAPE HAND RAILS



STRAIGHT HAND RAILS

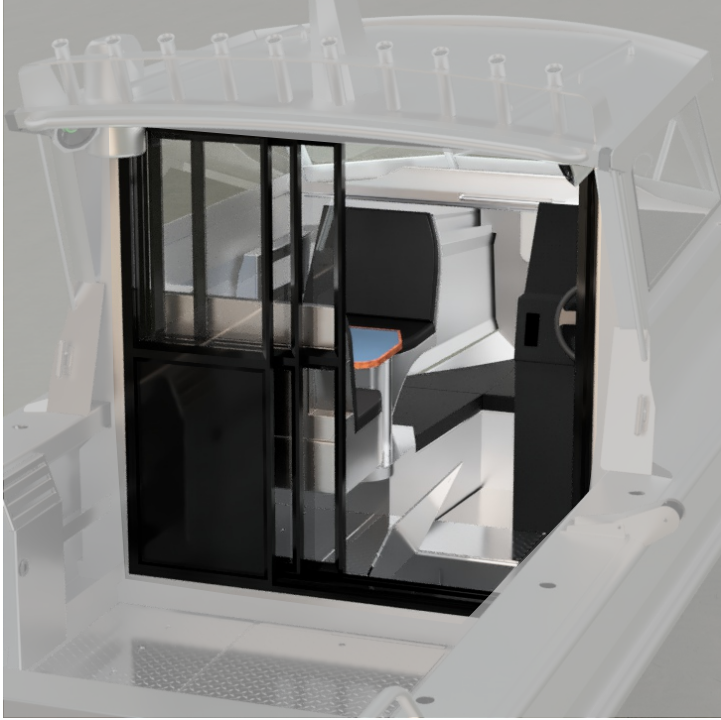


RHS HANDRAILS

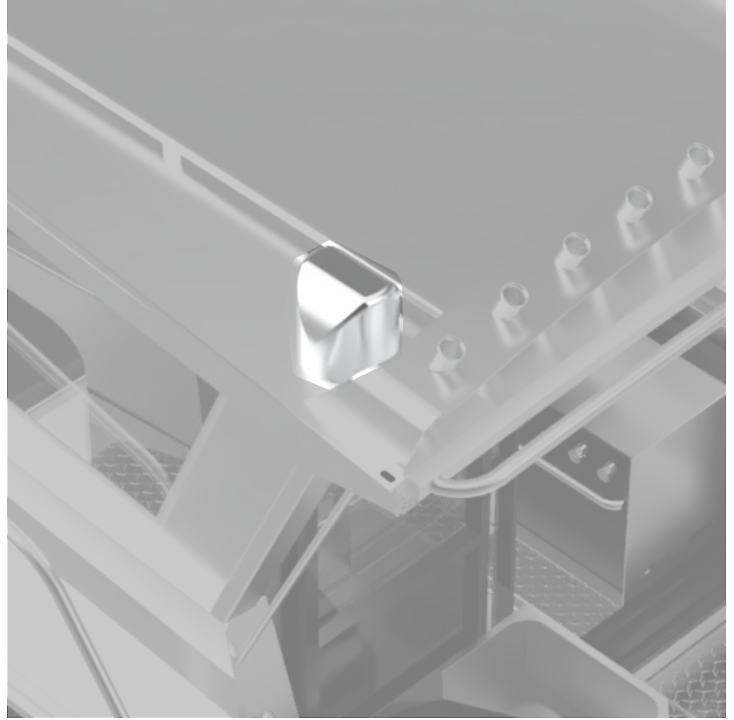


/ 770

+DOUBLE STACKER DOORS



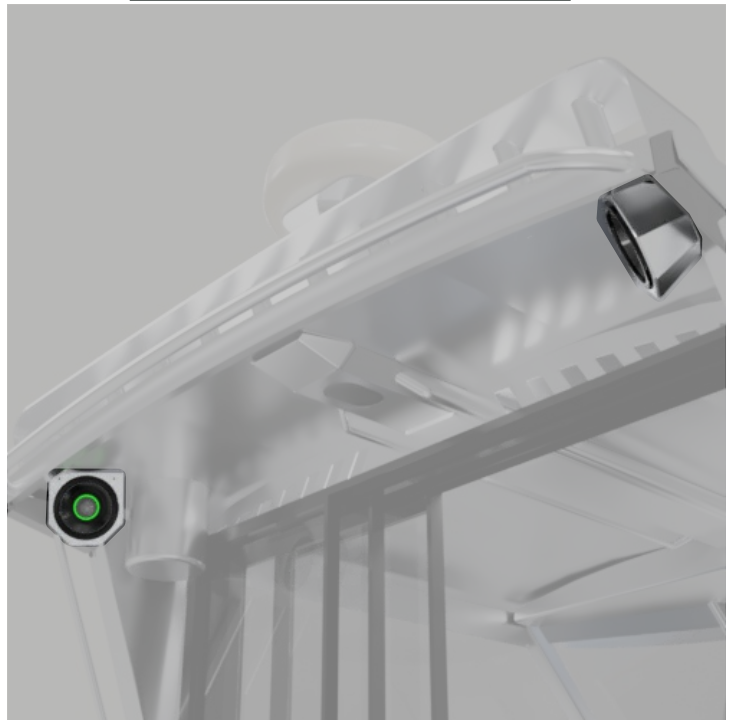
+LPG



+RADAR MOUNT

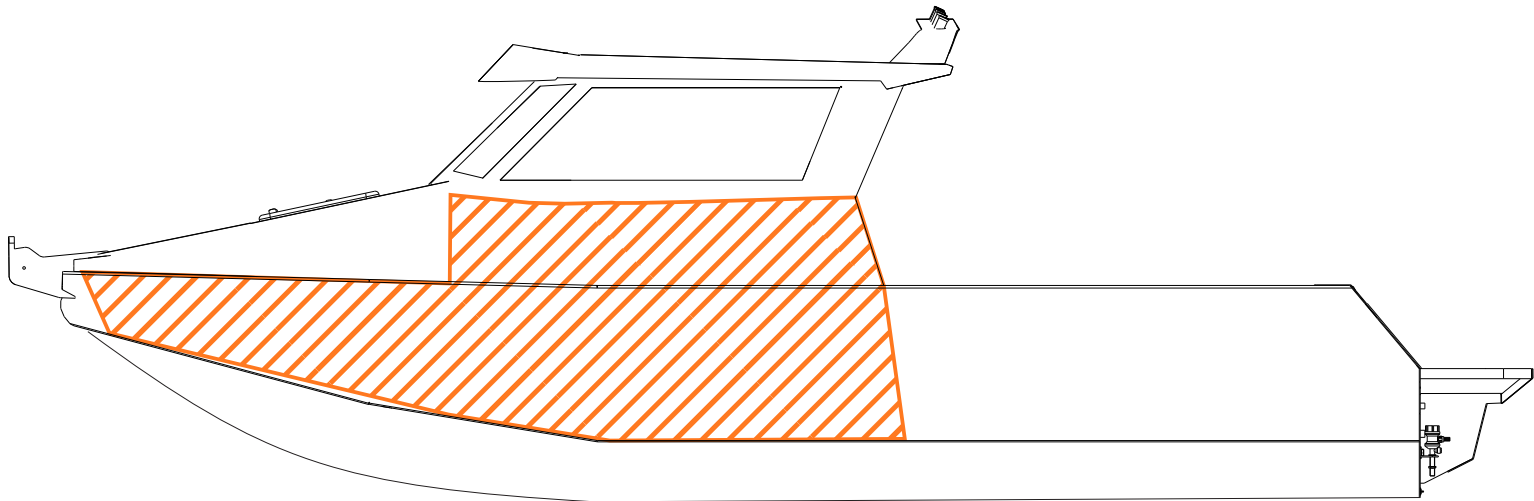


+ROOF OVERHANG SPEAKERS



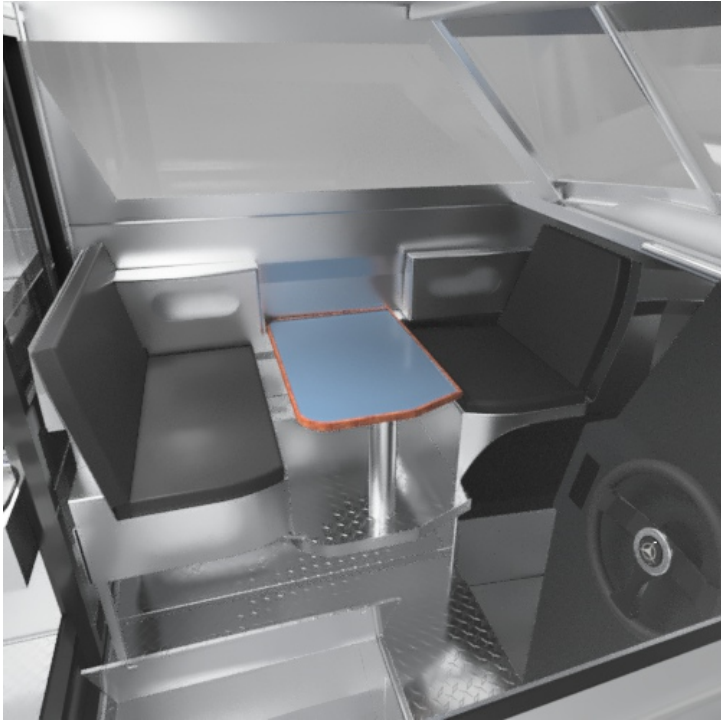
/ 770

CABIN INTERNAL OPTIONS

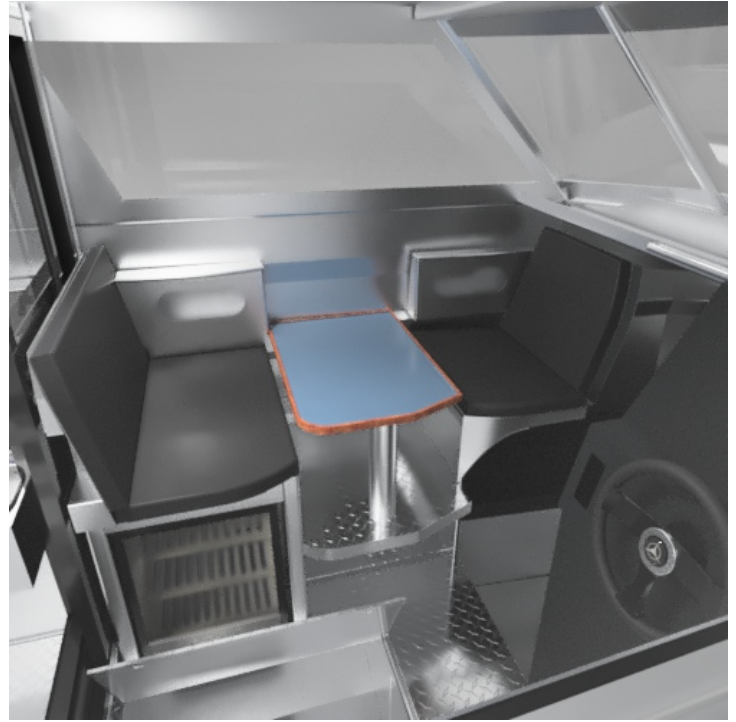


/ 770

+CLUB SEAT



+CLUB FRIDGE

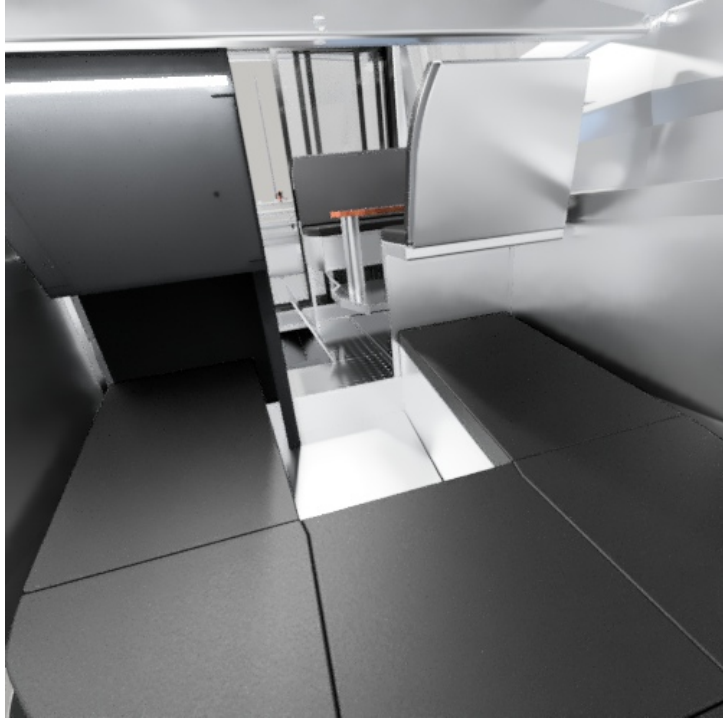


+WATER TANK

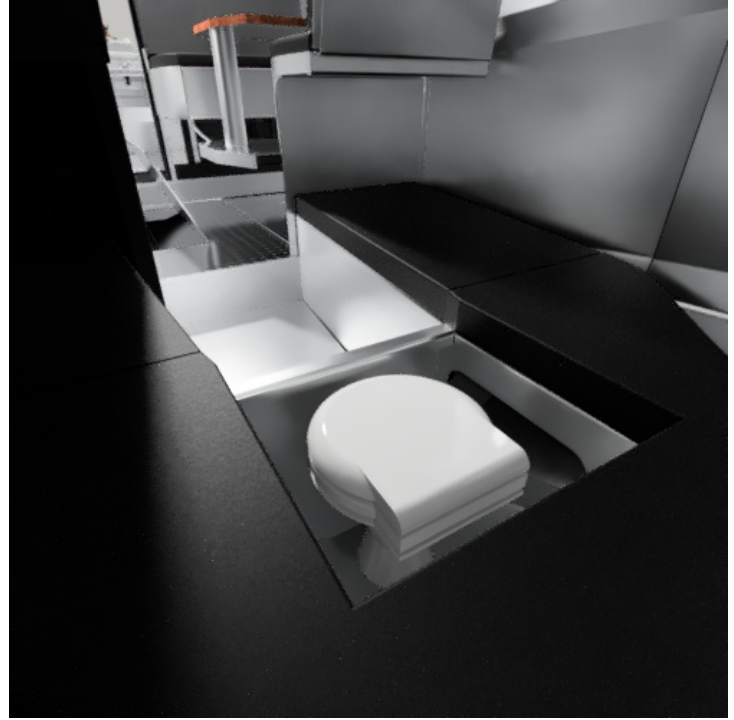


/ 770

BUNKS



+TOILET

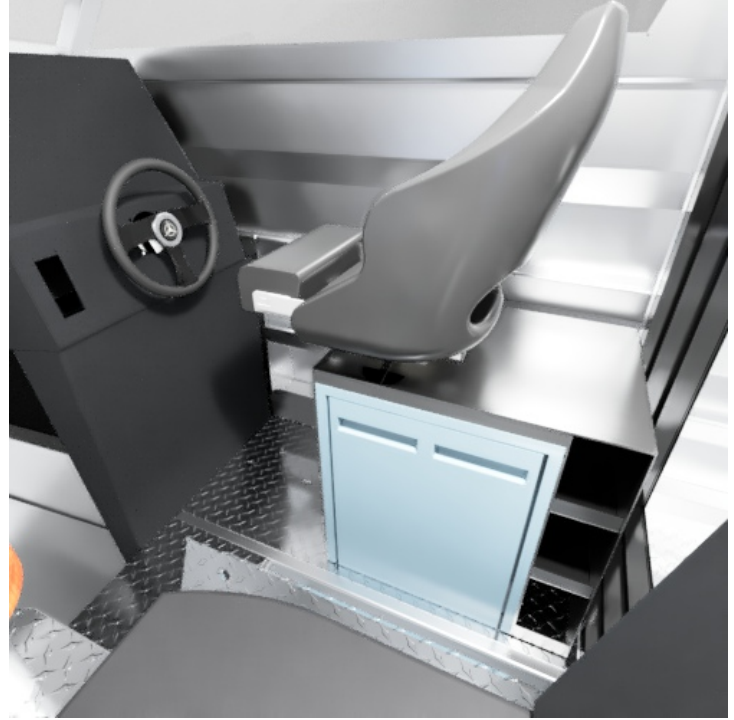


/ 770

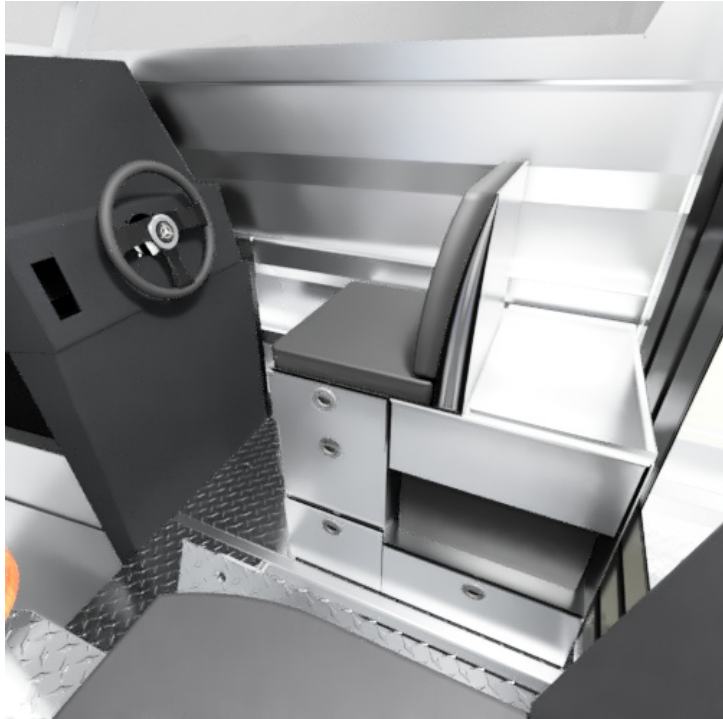
+SHELF HELM SEAT



+FRIDGE HELM SEAT

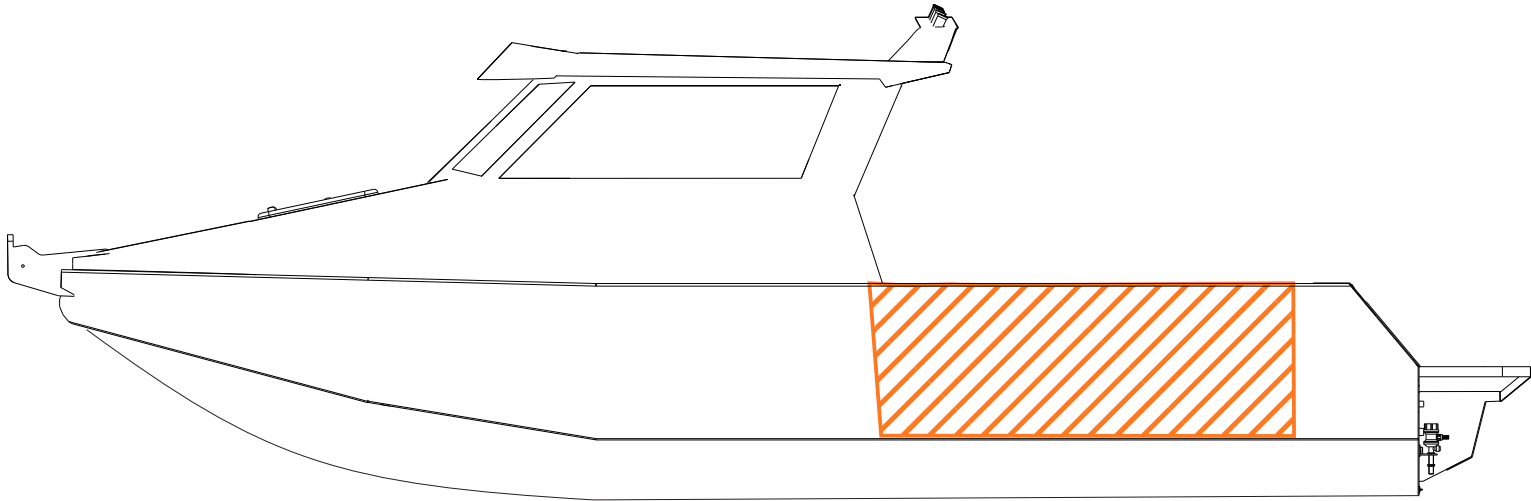


+OVEN HELM SEAT WITH FABRICATED SEAT



/ 770

DECK OPTIONS

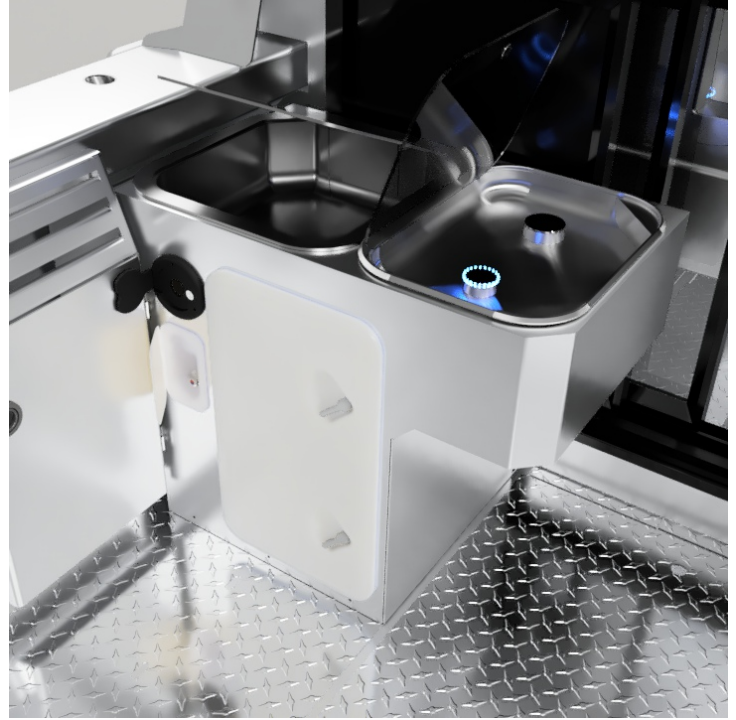


/ 770

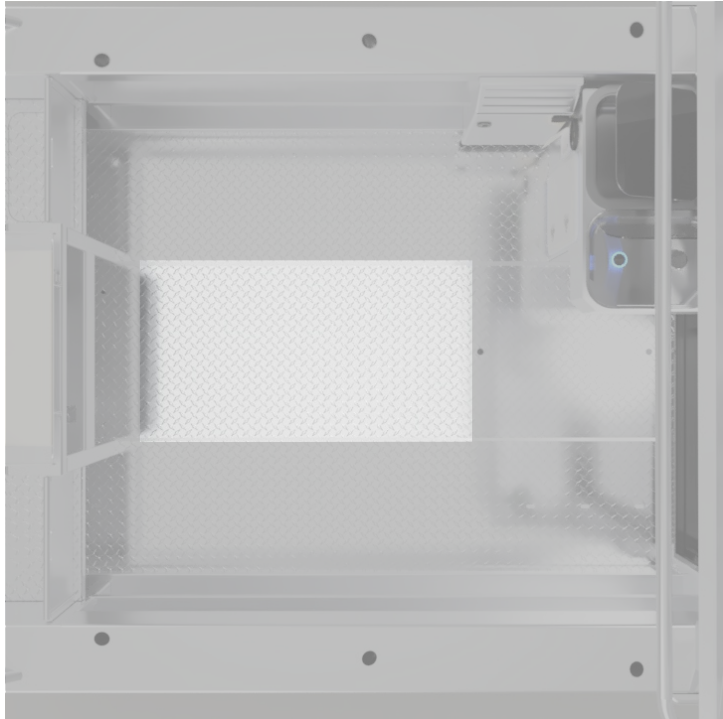
+CALIFONT



+DECK SEAT

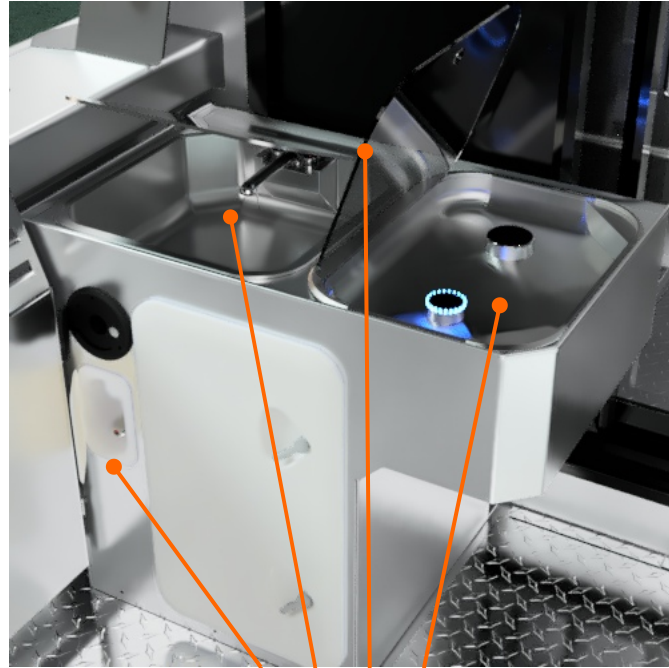


FUEL TANK



/ 770

+DECK SEAT



PULL OUT SHOWER AND FRESH WATER



GAS TOP UNDER SQUAB



SINK UNDER SQUAB



SQUABS ON TOP



/ 770

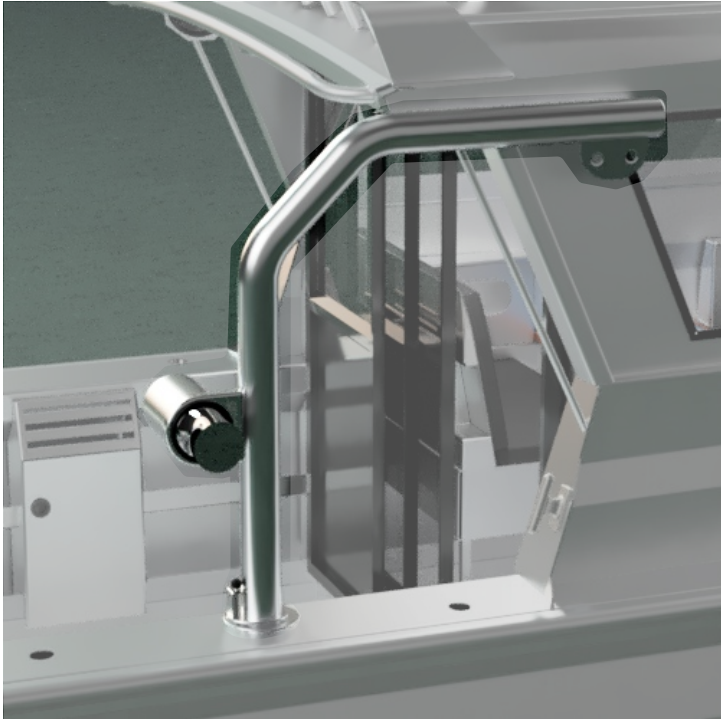
+GUNWALE MOUNT WINCH



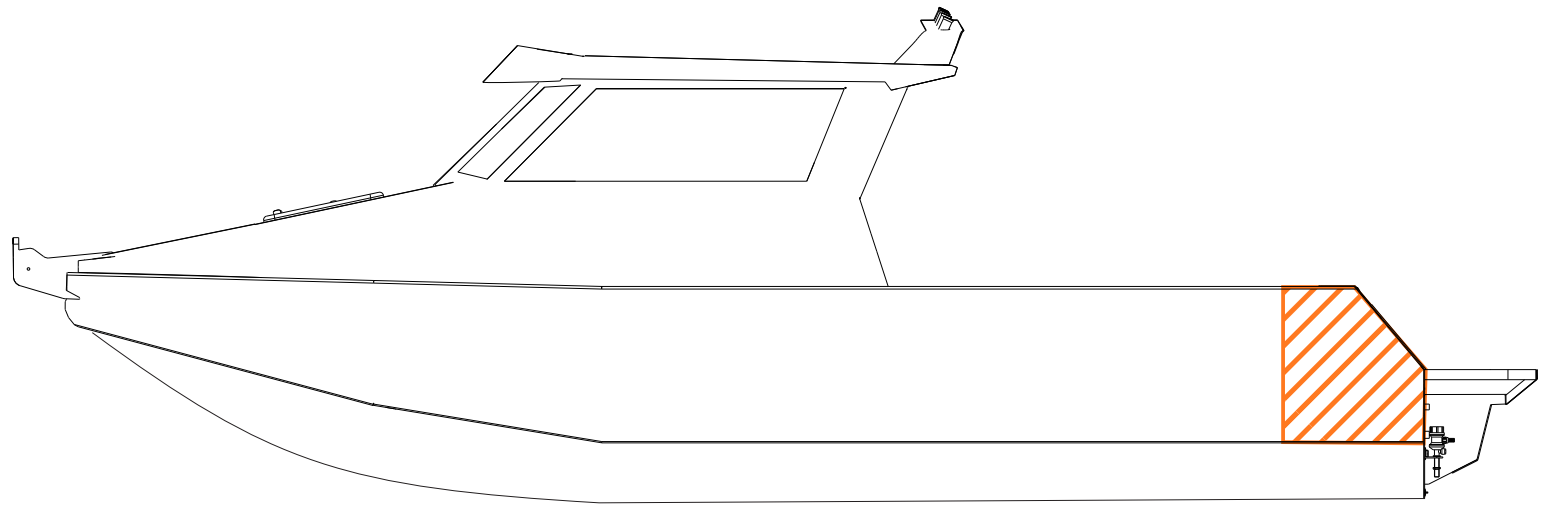
+WELDED WINCH



+CRAY BOOM

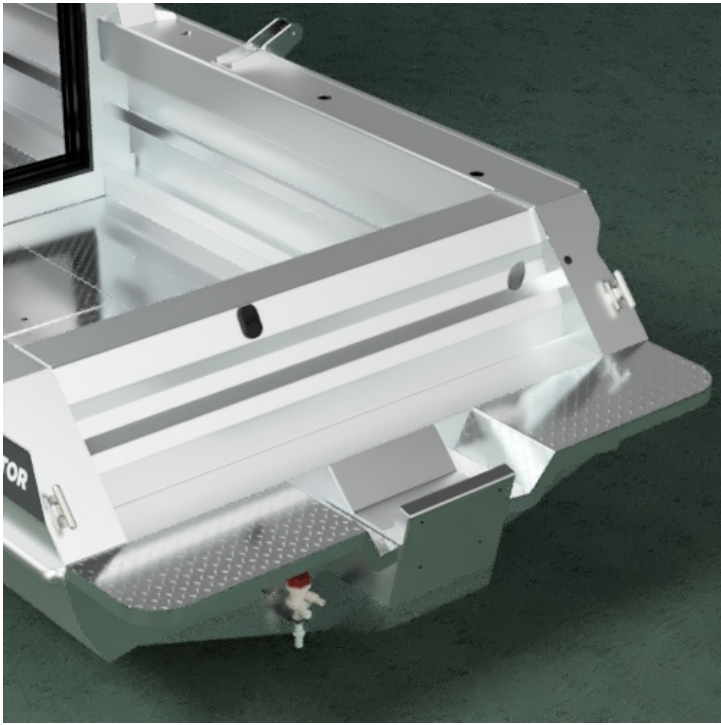


TRANSOM SELECTION

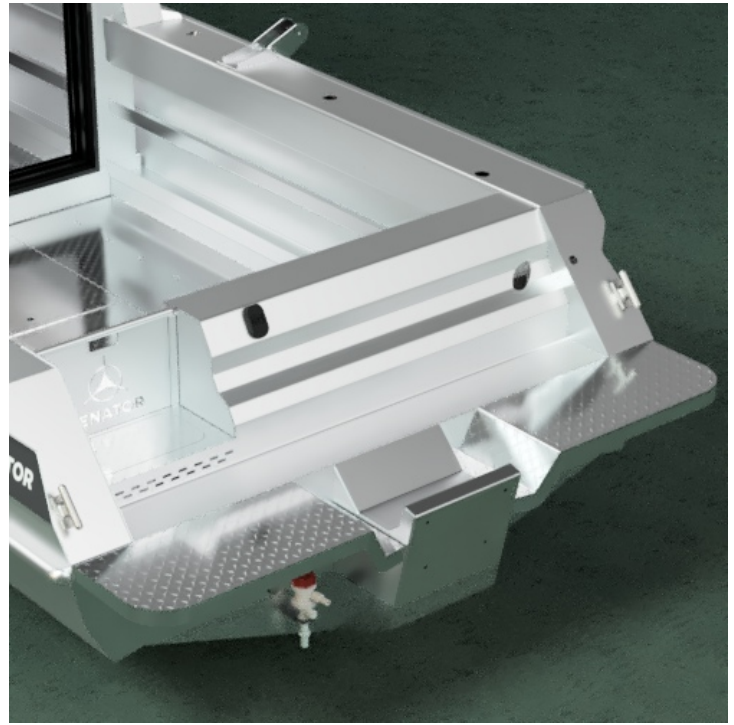


/ 770

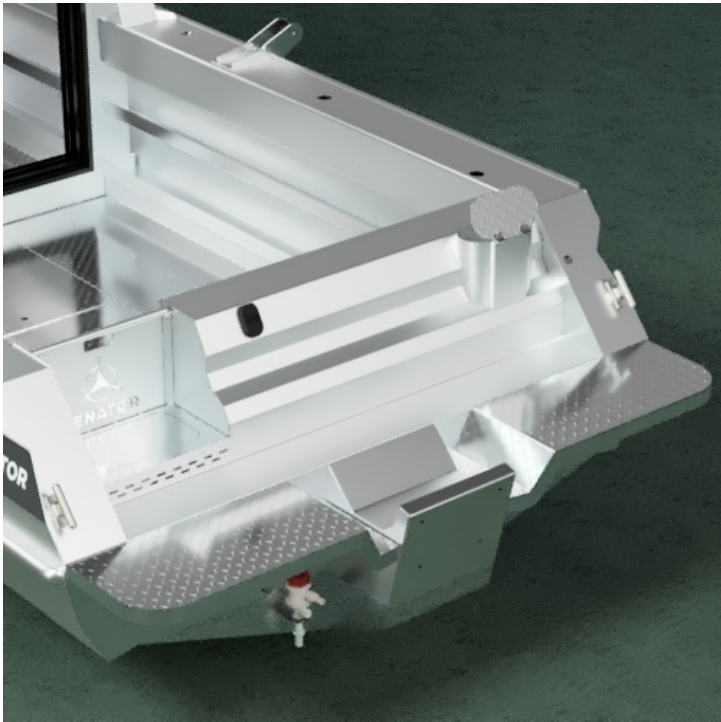
STANDARD: FULL TRANSOM



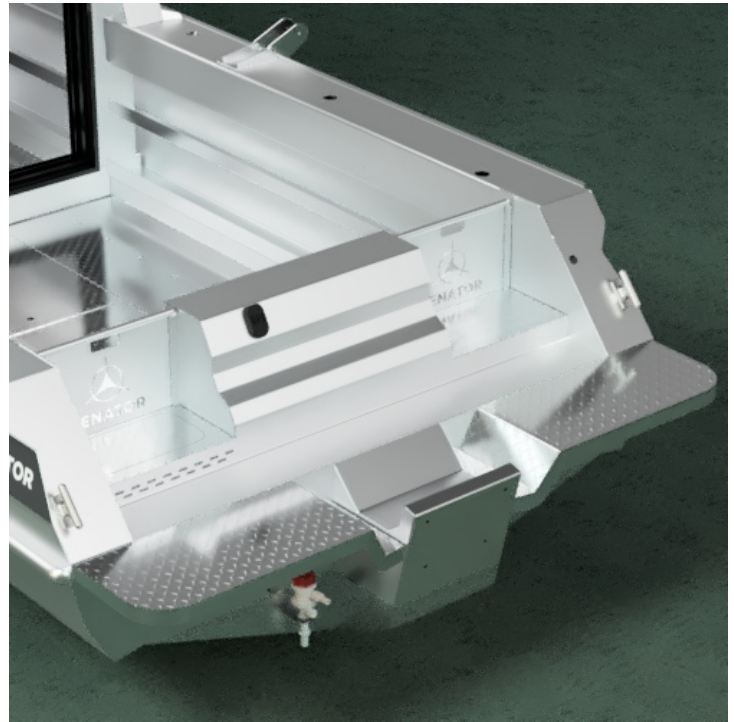
+ WALKTHROUGH WITH LIVE BAIT TANK



+ WALKTHROUGH WITH LIVE BAIT TANK AND TUNA TUBES

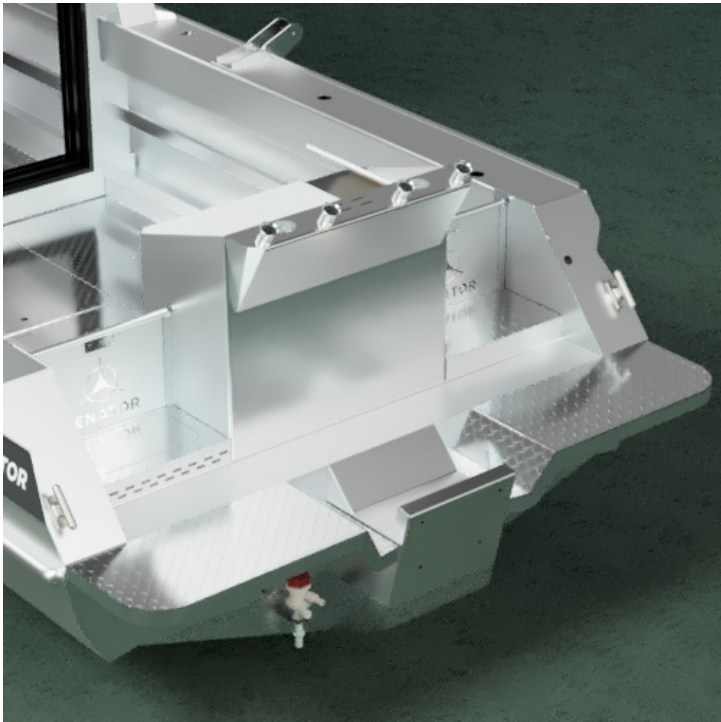


+ TWIN WALKTHROUGH WITH LIVE BAIT TANK PORT SIDE

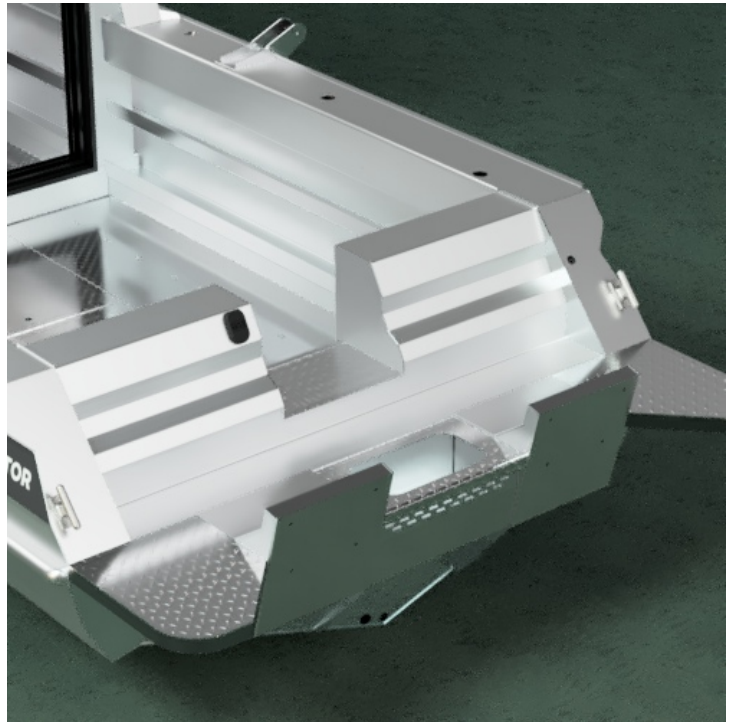


/ 770

+CENTRAL BAIT STATION



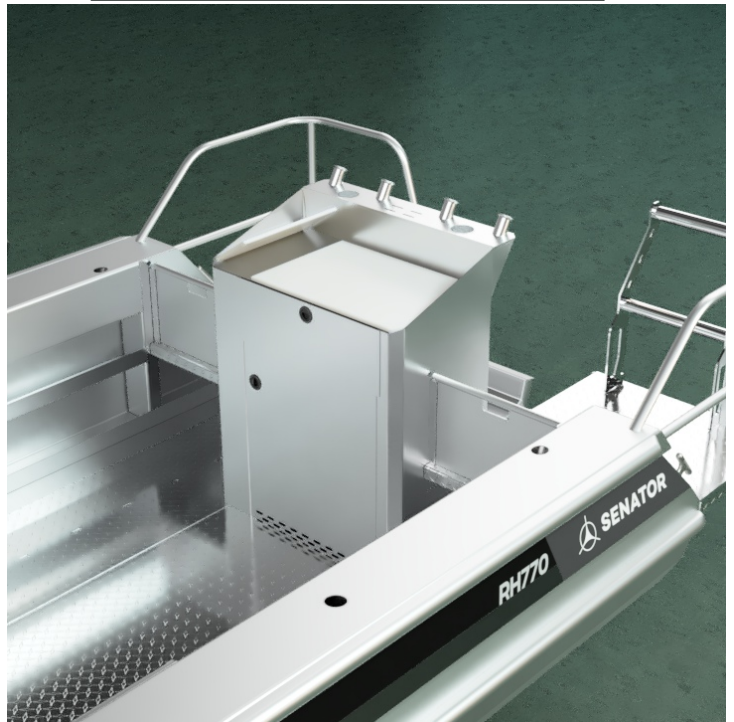
+CENTRE WALK THOUGH



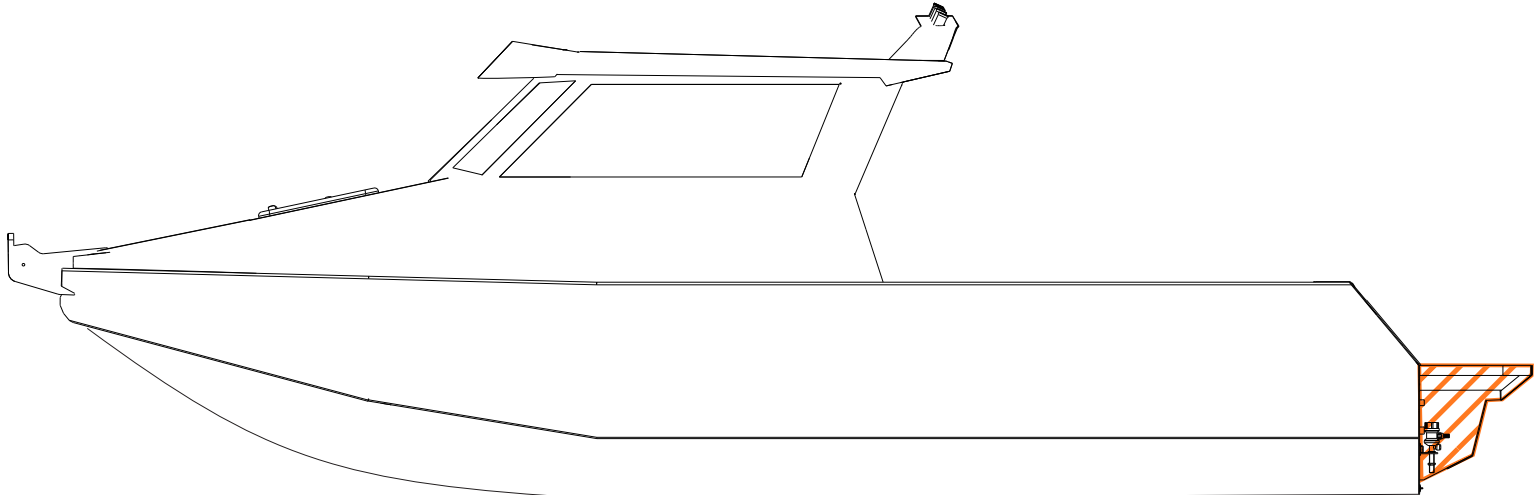
+800MM BAIT BOARD WITH CUP HOLDER



+ CENTRAL BAIT STATION

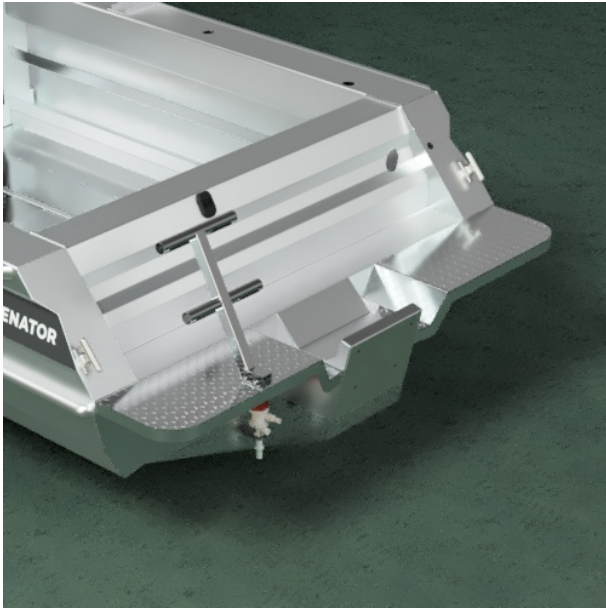


DUCKBOARD SELECTION

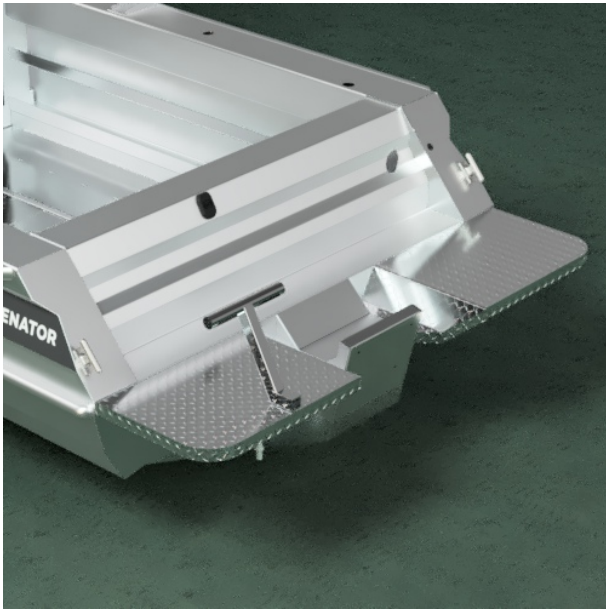


/ 770

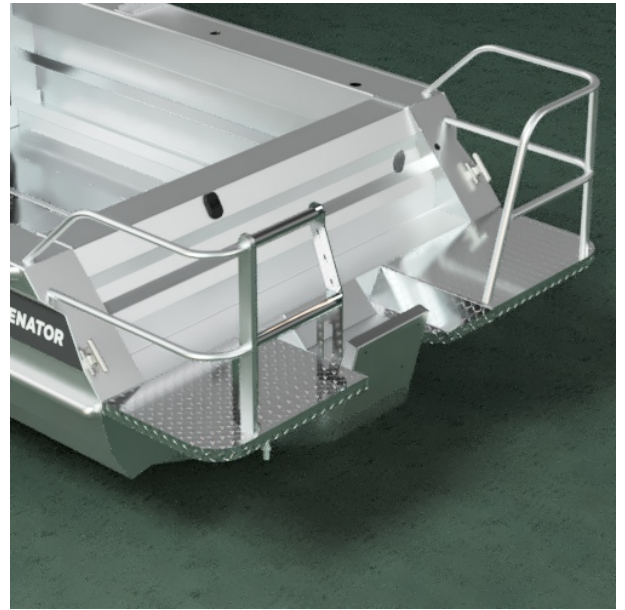
+2 RUNG LADDER



+EXTENDED DUCKBOARD



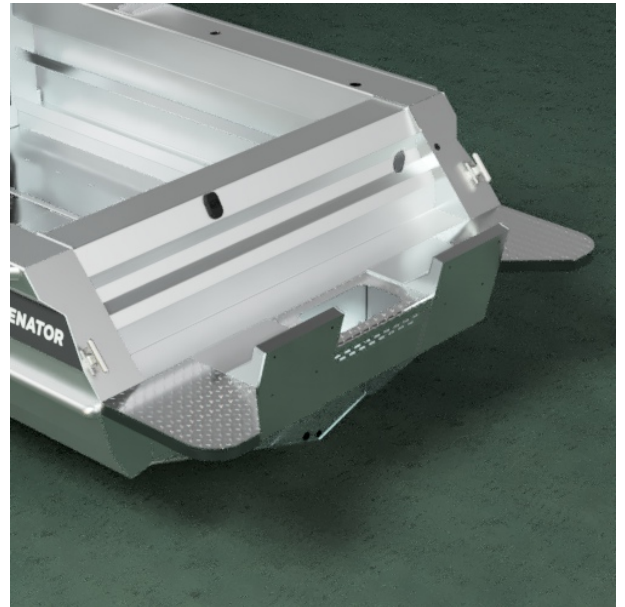
+EXTENDED & TRANSOM CAGE



+TWIN CLOSE ENGINE POD WITH CAGE

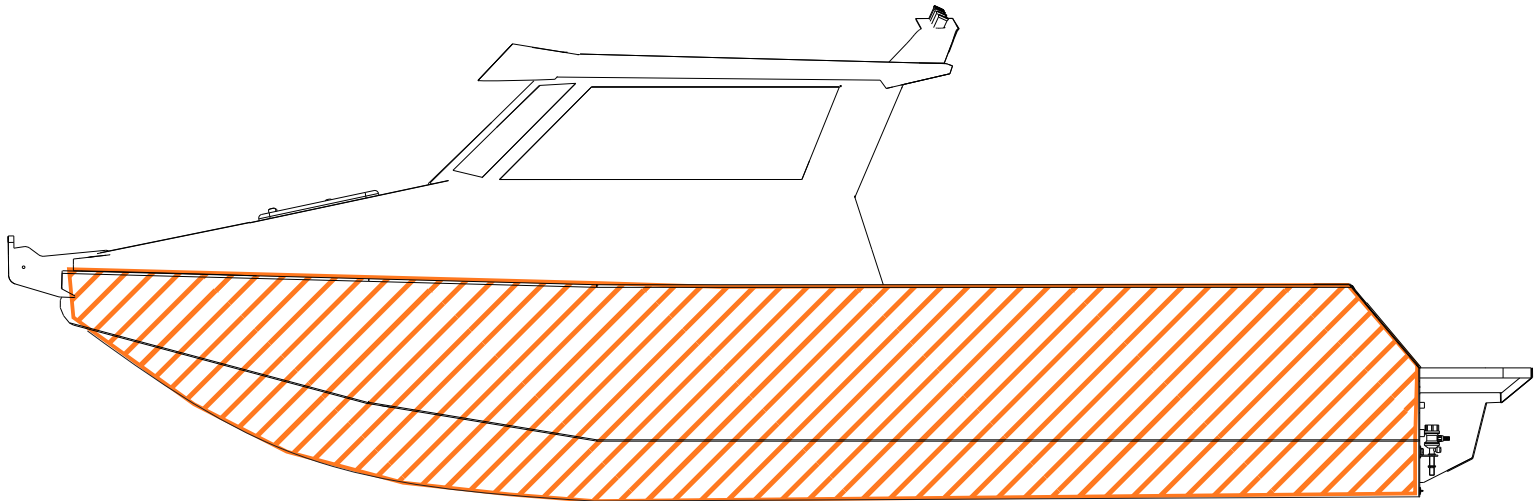


+TWIN WIDE ENGINE POD, LIVE BAIT TANK



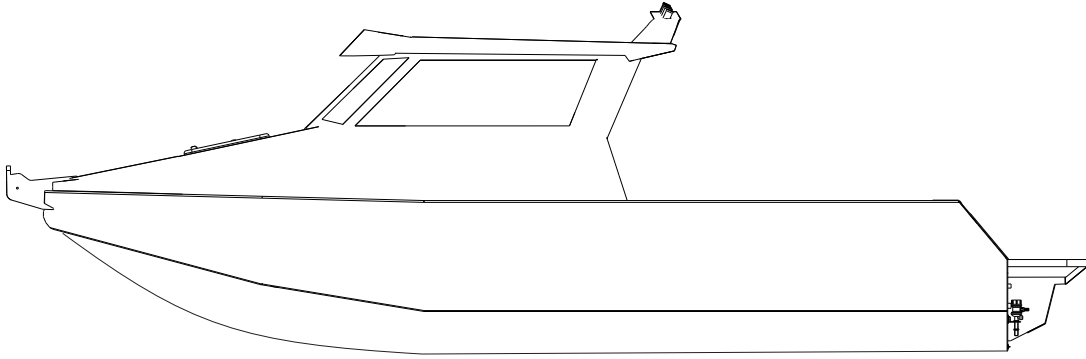
/ 770

HULL / OUTER PONTOON

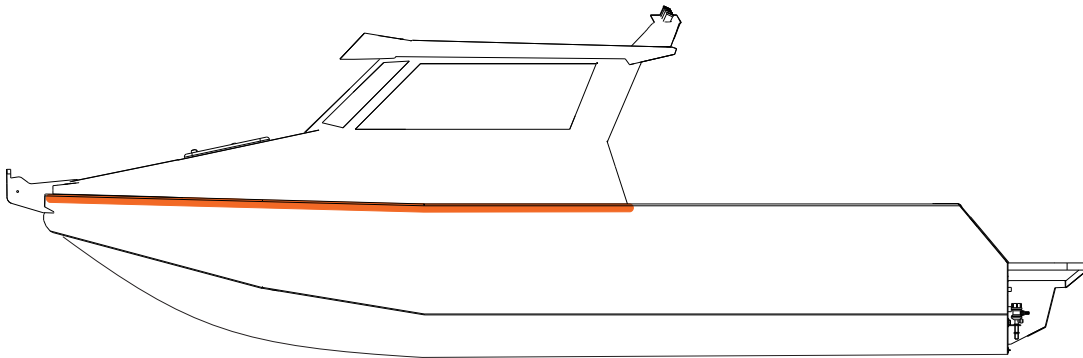


/ 770

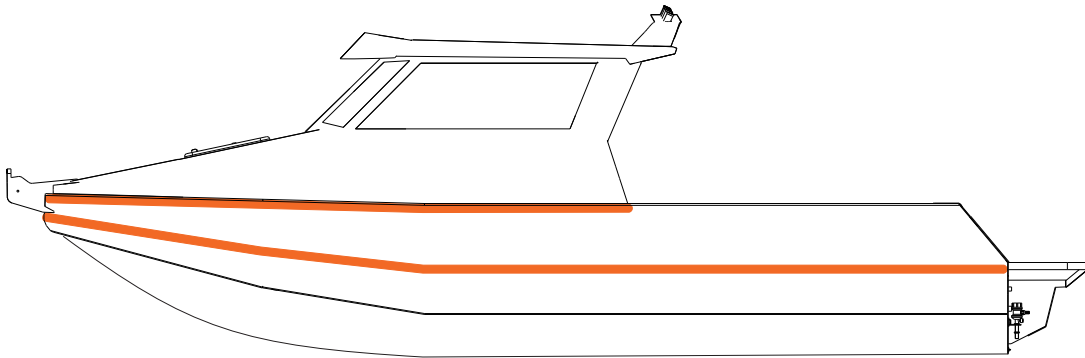
PONTOON STANDARD



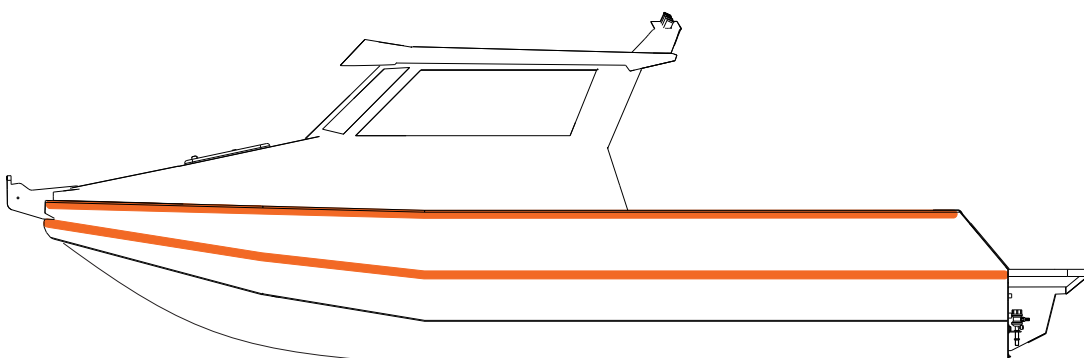
+HALF BUMP RAIL



+HALF & FULL BUMP RAIL

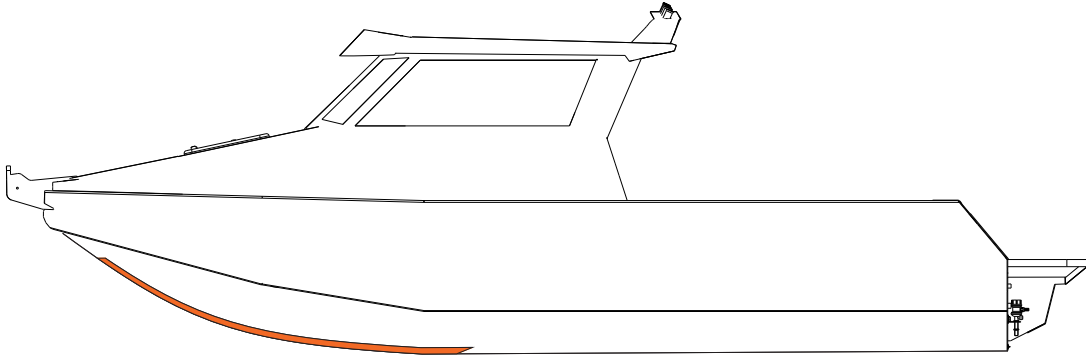


+TWIN FULL BUMP RAIL



/ 770

HALF LENGTH KEEL WEAR STRIP



FULL LENGTH KEEL WEAR STRIP

