

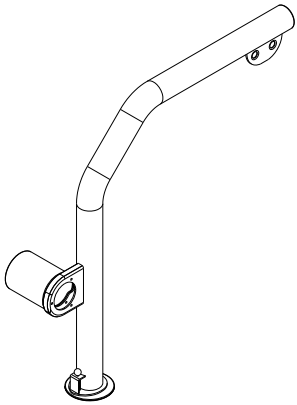
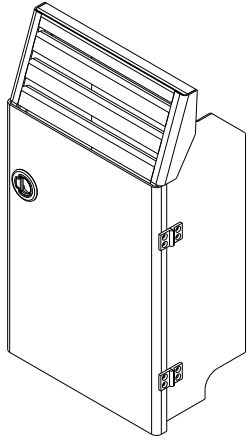
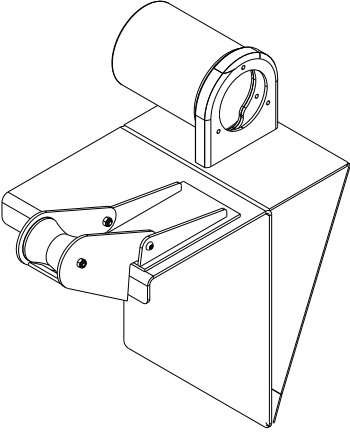
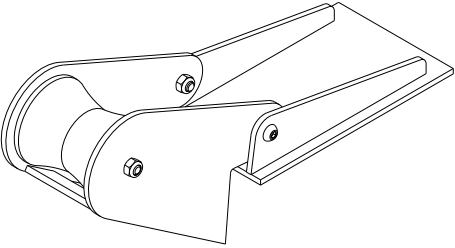
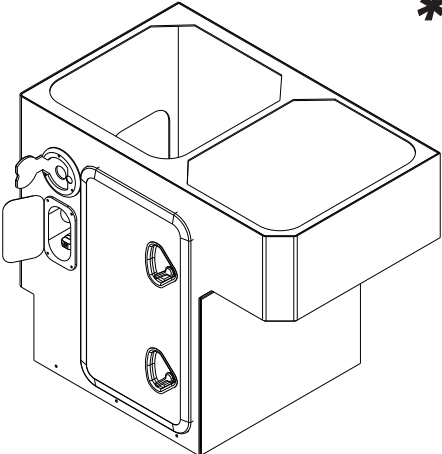


**SENATOR**

***GUNWALE CONFIGURATION***

<b><i>HARDWARE</i></b>	<b>3</b>
<b><i>ROD HOLDER CONFIGURATION 380 - 650</i></b>	<b>4</b>
<b><i>ROD HOLDER CONFIGURATION 690+</i></b>	<b>5</b>

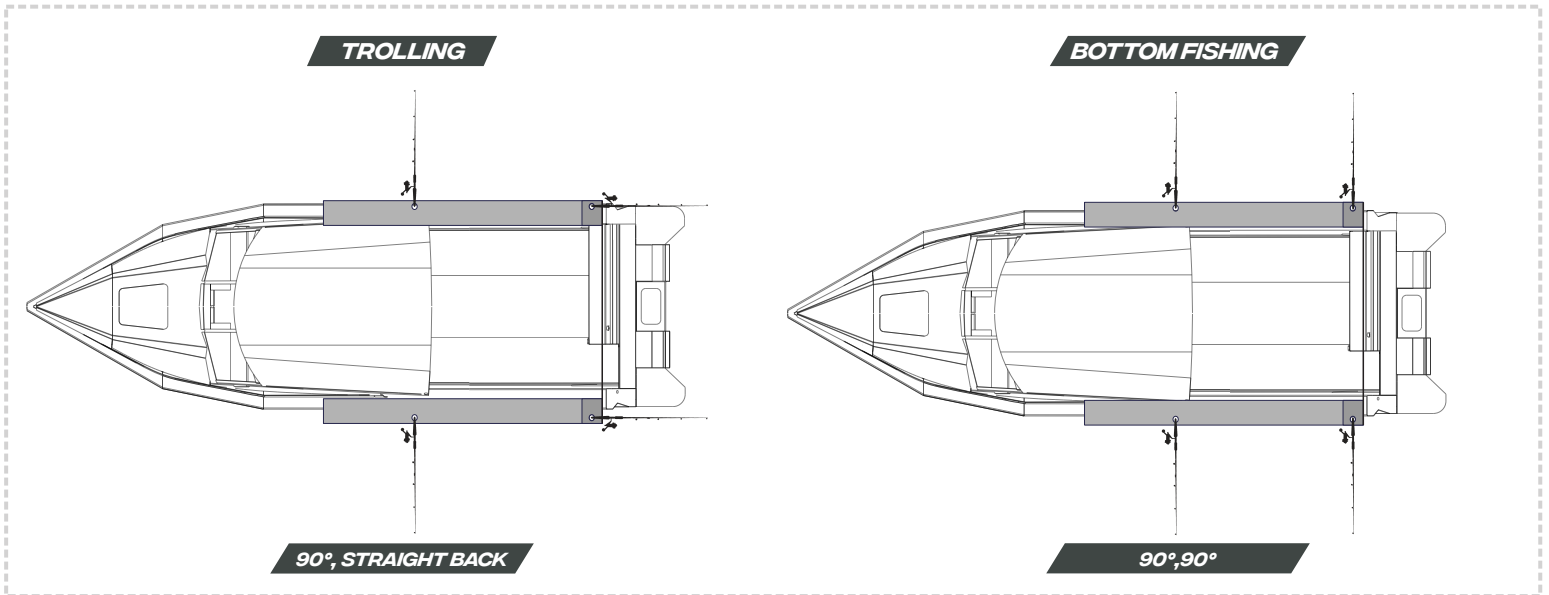
***PLEASE NOTE: TO ACHIEVE SENATORS CONTINUOUS IMPROVEMENT PROGRAM  
DESIGNS AND THIS DOCUMENT MAY BE SUBJECT TO CHANGE.***

<p>Cray Boom</p>	 <p style="text-align: right;">*</p>	<p>Califont</p>	 <p style="text-align: right;">*</p>
<p>Removable Gunwale Mount Cray Pot Hauler</p>			
<p>Welded Winch Roller</p>	 <p style="text-align: right;">*</p>		
<p>Port Side Deck Seat: 900 wide with cooker, sink, pull out shower &amp; squab</p>	 <p style="text-align: right;">*</p>		

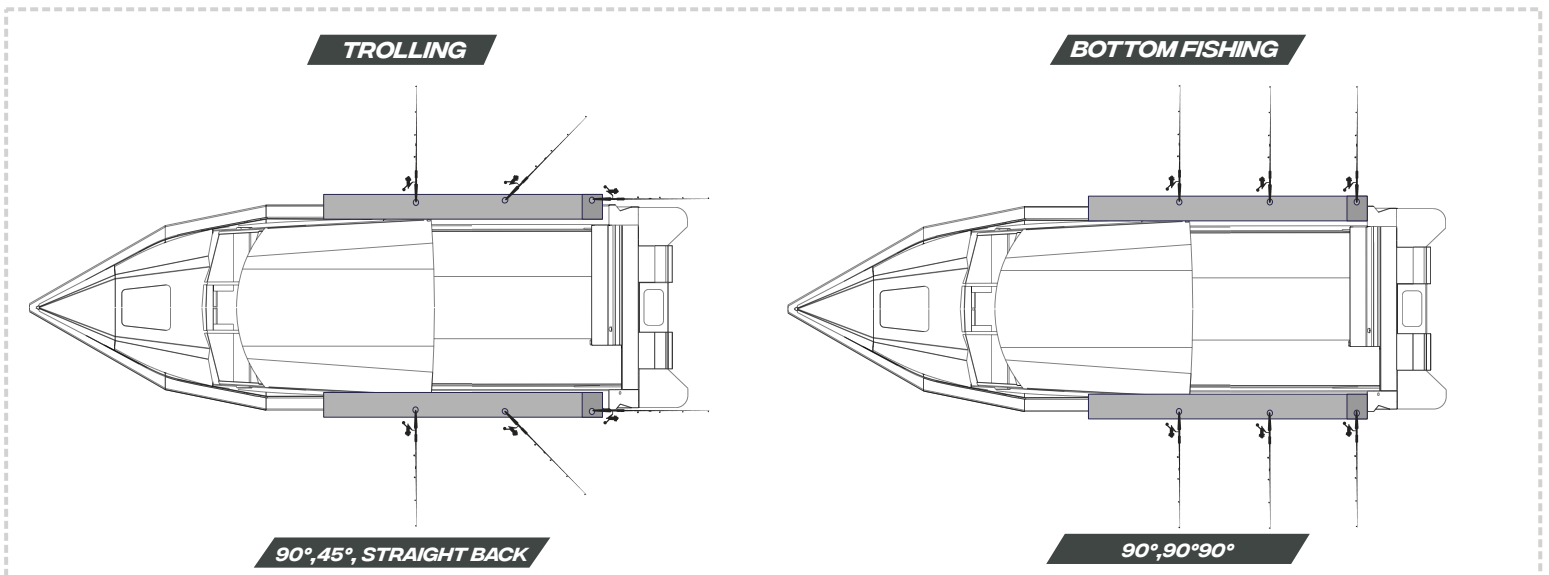
\* SELECTION OF THESE ITEMS WILL INTERFERE WITH THE LAYOUT AND MAY REMOVE CUP HOLDERS OR ROD HOLDERS.

**/ 380 - 650**

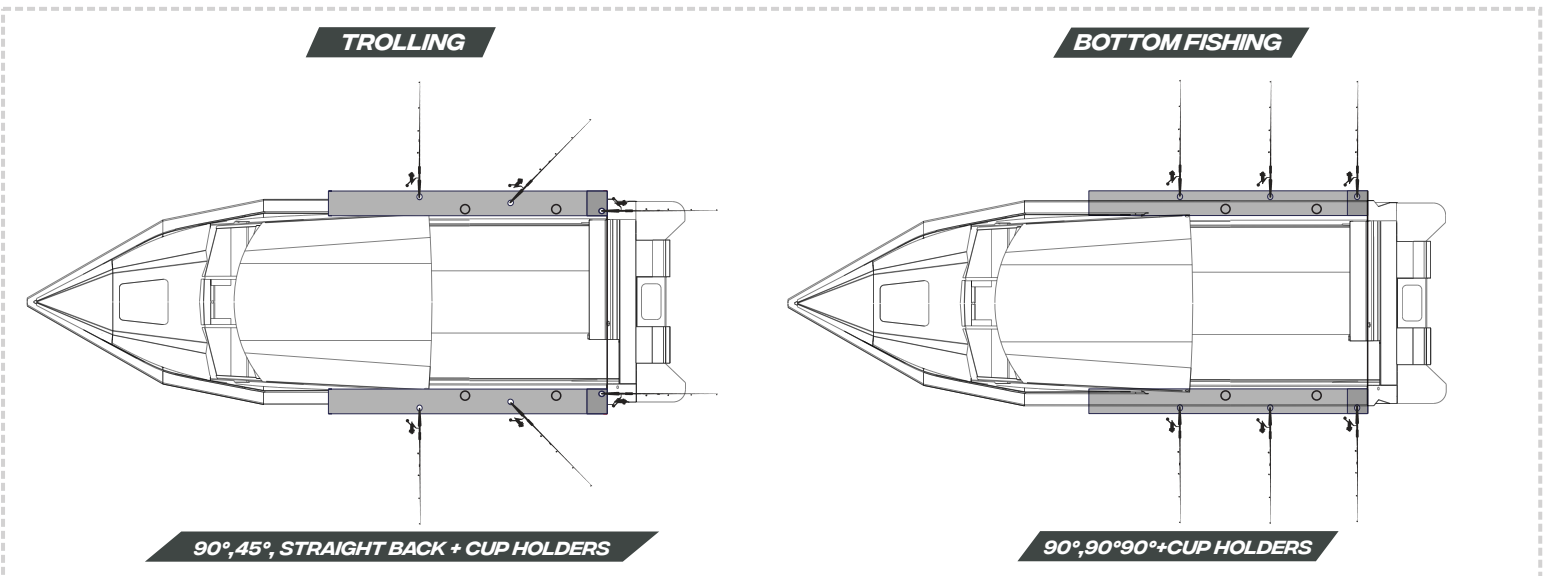
**STANDARD LAYOUT**



**MID RANGE**



**TOP END**

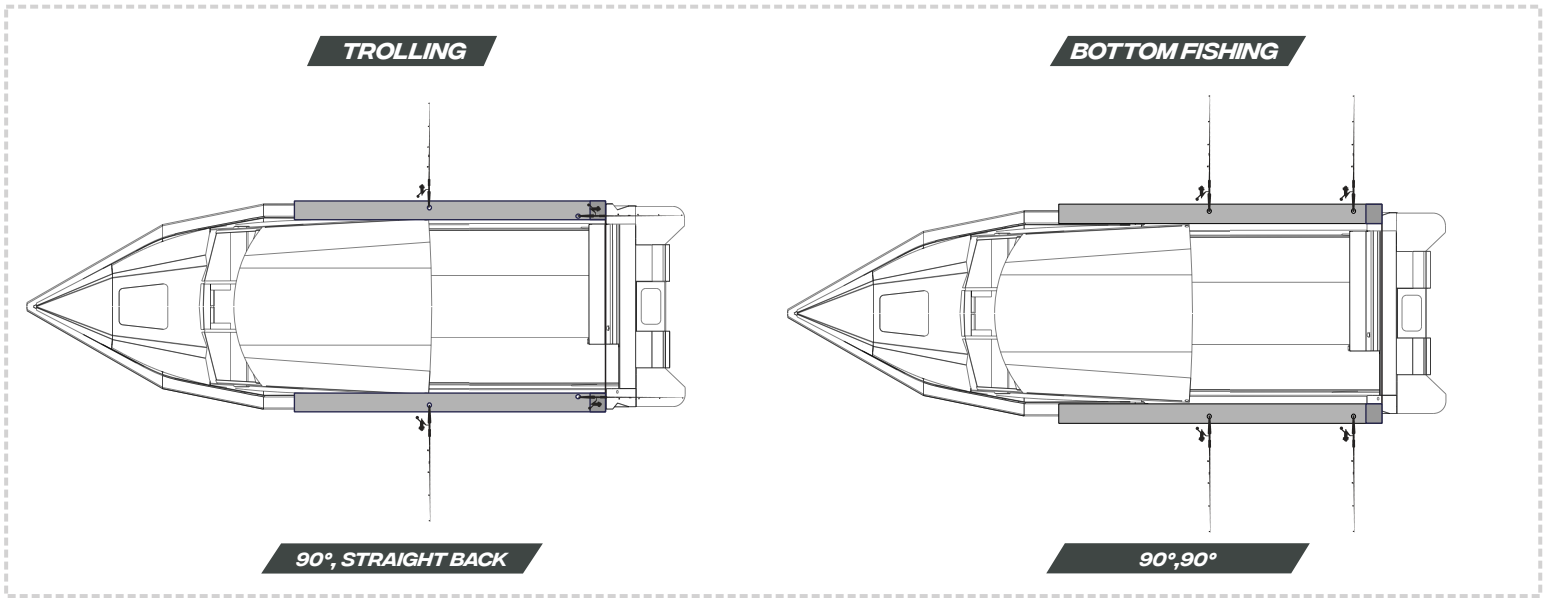


**ITEMS ON PAGE 3 MARKED WITH A \* WILL INTERFERE WITH THE LAYOUT AND MAY REMOVE CUP HOLDERS OR ROD HOLDERS.**

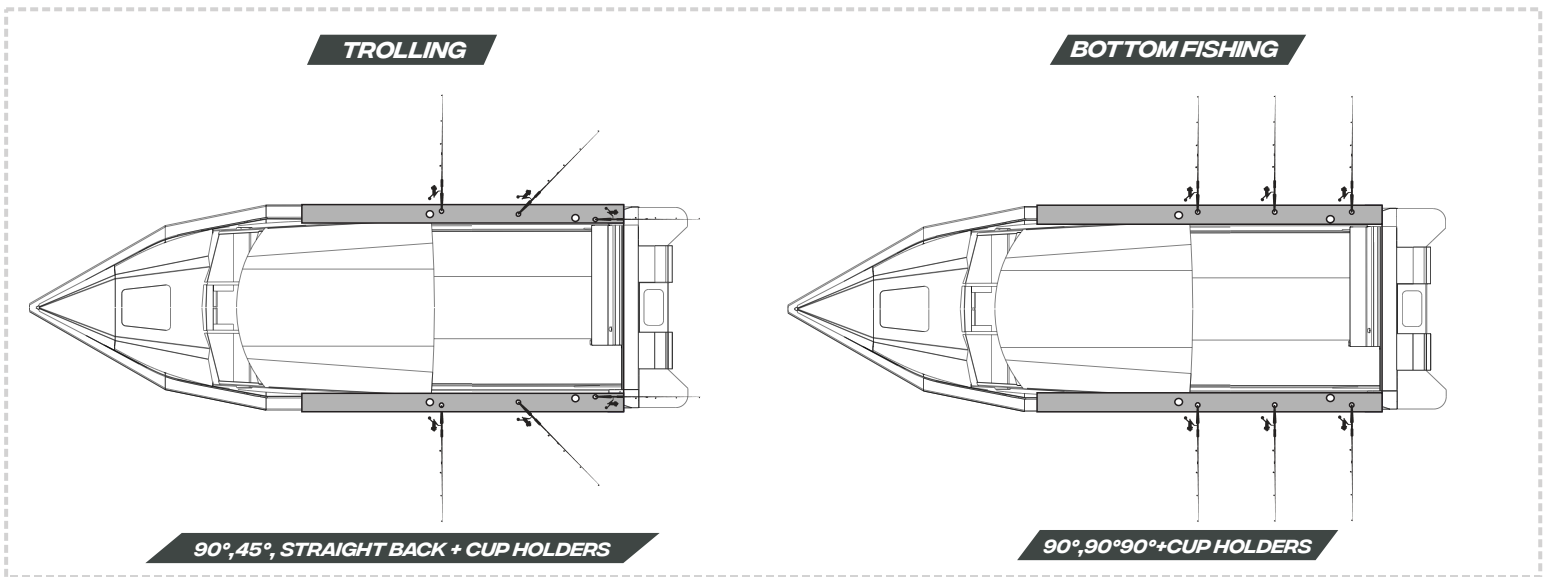


/ 690+

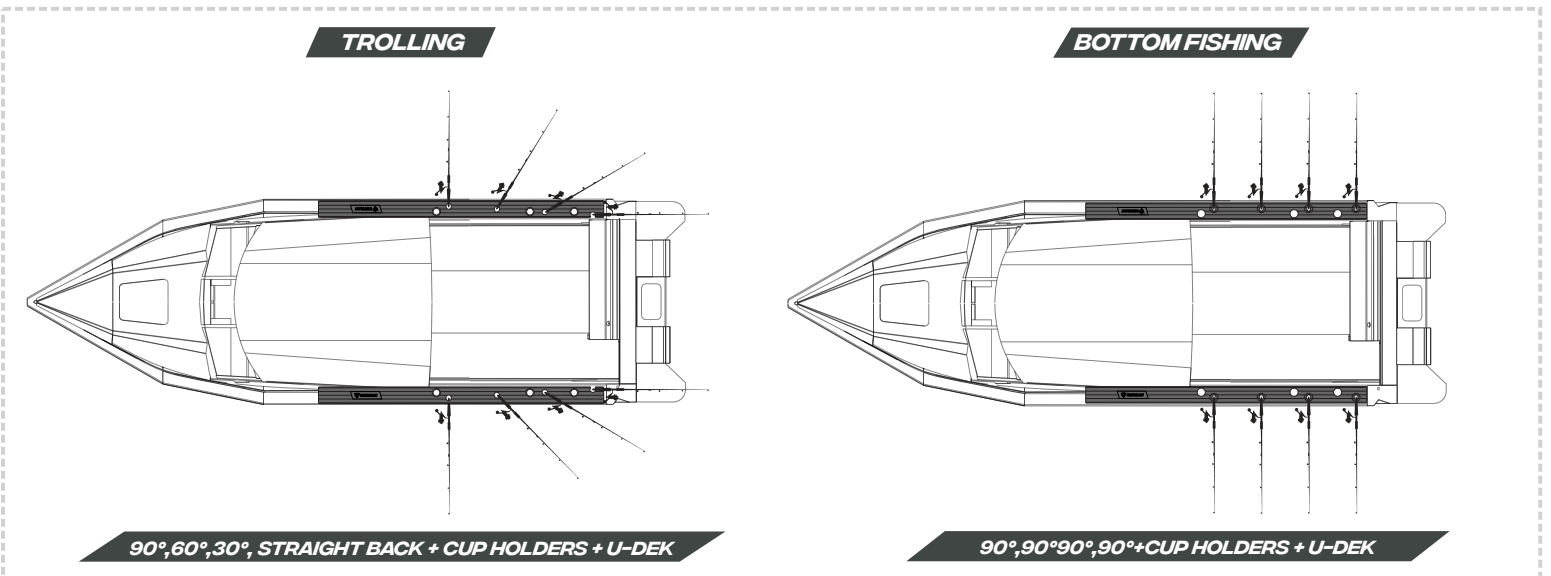
**STANDARD LAYOUT**



**MID RANGE**



**TOP END**



ITEMS ON PAGE 3 MARKED WITH A \* WILL INTERFERE WITH THE LAYOUT AND MAY REMOVE CUP HOLDERS OR ROD HOLDERS.